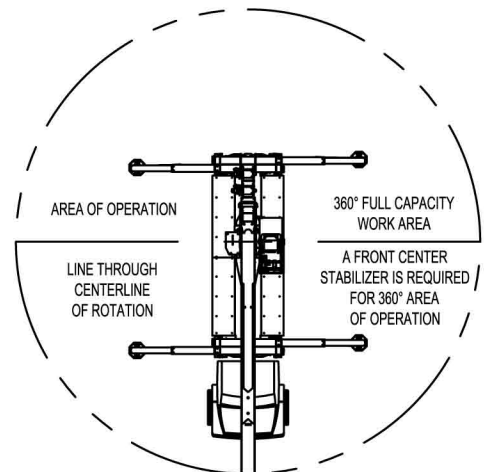
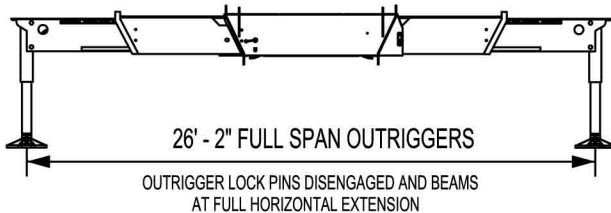
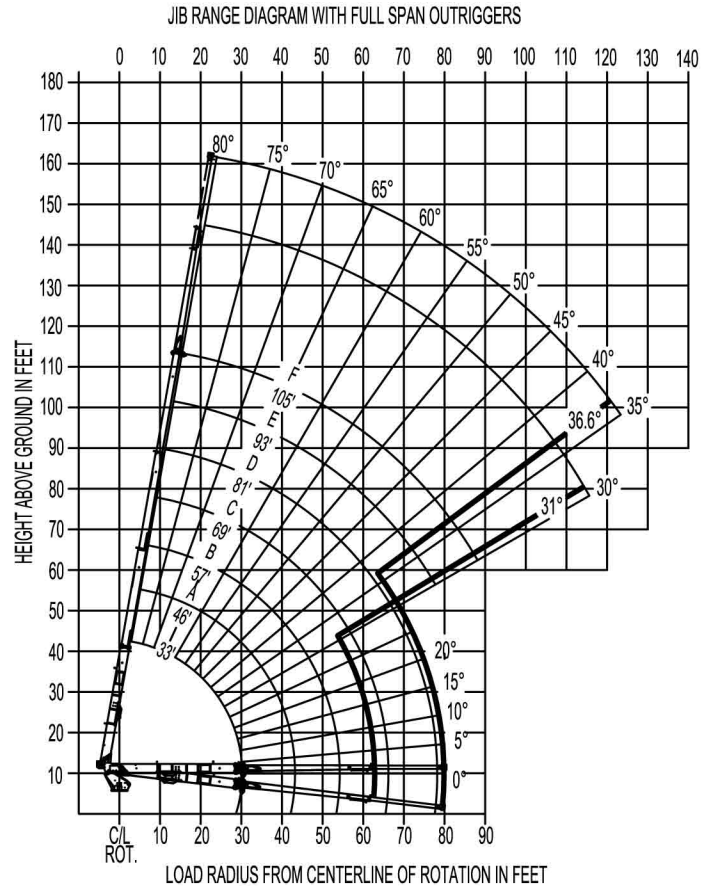


JIB LOAD RATINGS WITH FULLY EXTENDED OUTRIGGERS

32-49 ft EXTENDABLE JIB				
LOAD RADIUS IN FEET	LOADED BOOM ANGLE	32-ft JIB 360°	LOADED BOOM ANGLE	49-ft JIB 360°
35	77.4	6,050		
40	75.2	5,500	77.6	5,100
45	73.0	5,150	75.8	4,800
50	70.8	4,850	73.9	4,500
55	68.5	4,550	72.1	4,250
60	66.2	4,300	70.1	4,000
65	63.8	4,000	68.1	3,750
70	61.3	3,700	66.0	3,450
75	58.7	3,400	63.8	3,200
80	56.1	3,250	61.7	3,000
85	53.2	2,900	59.4	2,750
90	50.2	2,600	57.0	2,500
95	46.8	2,050	54.5	2,250
100	43.2	1,550	52.0	2,000
105	39.4	1,100	49.3	1,750
110	35.3	700	46.4	1,500
115	31.0	500	43.4	1,250
120			40.2	950
125			36.6	600



- NOTE:
1. Operate jib by radius when main boom is fully extended. Increase boom angle if necessary to maintain load radius.
 2. When boom is retracted, operate jib by boom angles. Do not exceed any rated jib capacities at reduced boom lengths.
 3. Capacities do not exceed 85% stability.
 4. Load ratings above bold line are structurally limited.
 5. Personnel handling is allowed only with full span outriggers.
 6. Boom load ratings are based on loaded boom radius. Loaded boom angles are given as reference only.